

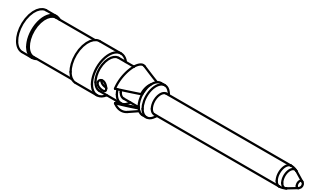
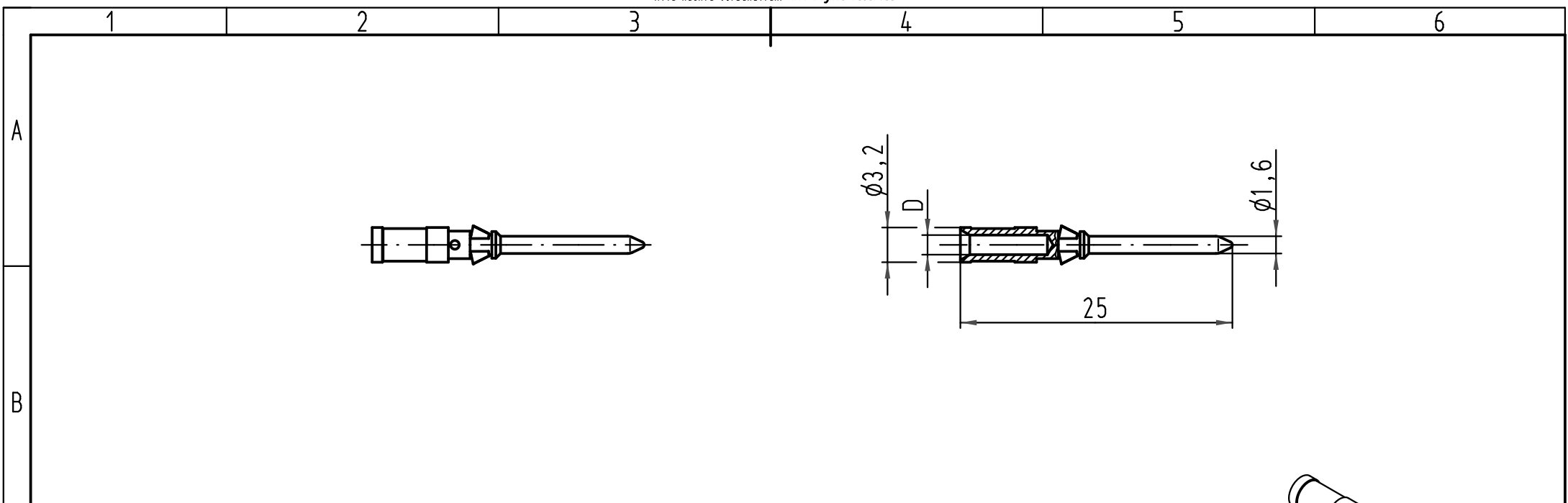


Product details

09 15 000 6121

Male contact

| | |
|----------------|---------------------|
| Contact type | Standard contact |
| Cross section | 1.5 mm ² |
| Plating | Gold plated |
| Application | browsing.. |
| Series | Han® Q |
| RoHS compliant | Yes |



| Bestell-Nummer / Part No. | | D | Leiterquerschnitt wire gauge | | Abisolierlänge der Litze stripping length |
|-----------------------------|--------------------------|------|---------------------------------|-------|---|
| versilbert silver plated | vergoldet gold plated | | mm ² | AWG | |
| 09 15 000 6104 | 09 15 000 6124 | 0,90 | 0,14-0,37 | 26-22 | 8 |
| 09 15 000 6103 | 09 15 000 6123 | 1,10 | 0,5 | 20 | |
| 09 15 000 6105 | 09 15 000 6125 | 1,30 | 0,75 | 18 | |
| 09 15 000 6102 | 09 15 000 6122 | 1,45 | 1 | 18 | |
| 09 15 000 6101 | 09 15 000 6121 | 1,75 | 1,5 | 16 | |
| 09 15 000 6106 | 09 15 000 6126 | 2,25 | 2,5 | 14 | 6 |

| | | | | | | | | | | | | |
|--------------------|--|--|---|----------|----|--------------------------------|----------|------|--|--|---|-------------|
| | | | All Dimensions in mm Original Size DIN A 4 | | | Techn. Character. | | | Nicht tolerierte Masse! Free size tolerances | | | |
| | | | | | | Dat. | | Name | Massstab/Scale | | Han D / R15 Stiftkontakt Crimpkontakt gedreht 10A crimpcontact turned 10A | |
| | | | | | | Detail. | 22.03.99 | Kö | 2:1 | | | |
| | | | | | | Insp. | | SDT | | | | |
| | | | | | | Stand. | | | | | | |
| | | | 412766 | 07.03.07 | Ho | HARTING Electric GmbH & Co. KG | | | | | TB 09 15 000 61.. | Blatt/ page |
| Bestell-Nr/Part No | | | 25592 | | | D-32339 Espelkamp | | | | | Sub. TB 09 15 000 6... v. 22.02.93 | |